

F.P.S.CO DOOR

Wood polymer composite(WPC) DOORS



Fanavar Plastic Sepahan company (F.P.S.CO)

BROCHURE

**F
P
S
C
O
M
P
A
N
Y**



TABLE OF CONTENT

01. About Company 01

02. Wood Polymer Composite(WPC) 02

03. Special Features 03

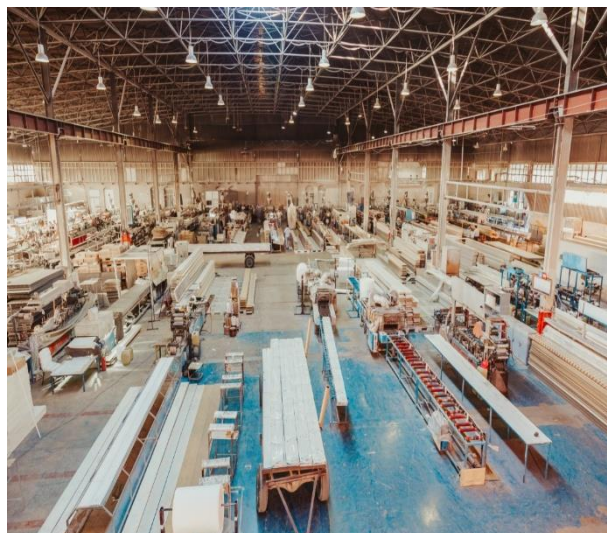
04. Door 04

05. Assembling Drawings 05

06. Cover & Frame 06

07. Some Of Our Projects 11

08. Contact Us 18

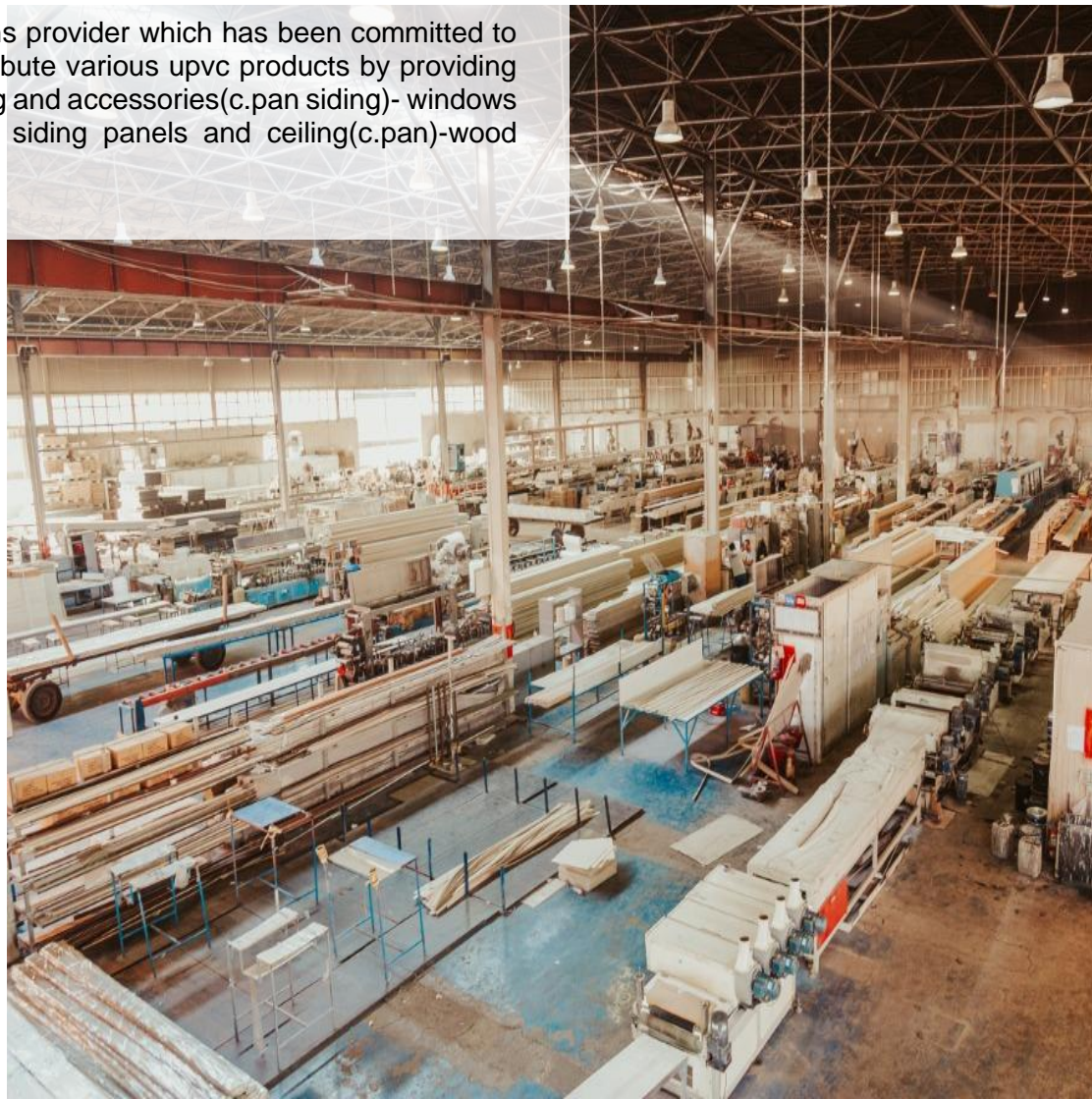


ABOUT COMPANY

F.P.S.CO has always been ahead of the building products industry in the country.

It aims to create world class products to evolutionized the construction and renovation industry by introducing its high quality PVC product lines.

As the leading building solutions provider which has been committed to quality and innovation we distribute various upvc products by providing our 4 brands such as vinyl siding and accessories(c.pan siding)- windows and door profile(c.four)-indoor siding panels and ceiling(c.pan)-wood polymer doors(F.P.S.CO door).



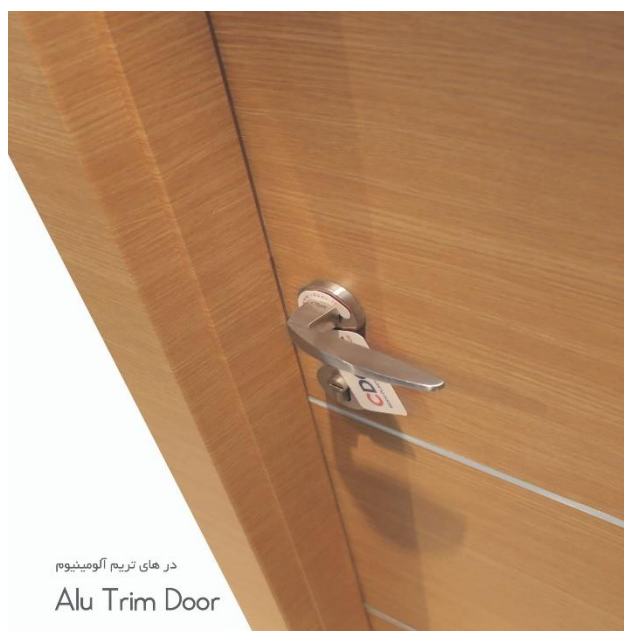
2020
BE

UNIQUE

WHAT IS WOOD POLYMER COMPOSITE (WPC) DOORS?

WPC Doors are made by mechanized manufacturing process, which offers uniform thickness without undulation, warping or bending and a smooth surface for lamination's.

It offers dimensional accuracy and stability in varying humidity and has a high screw holding capacity, high shock and buckling resistance.



در های تریم آلومینیوم
Alu Trim Door

Unlike natural wood, WPC is mainly made up of wood compound and plastic that has gone through certain processes which have wood alike finishing.

As WPC combines the beauty of wood and durable synthetic materials without cellulose which is found in most plants (wood) thus WPC is not appetizing to termites.

WPC boards have more internal strength, weight and above all no tress are cut in their production.



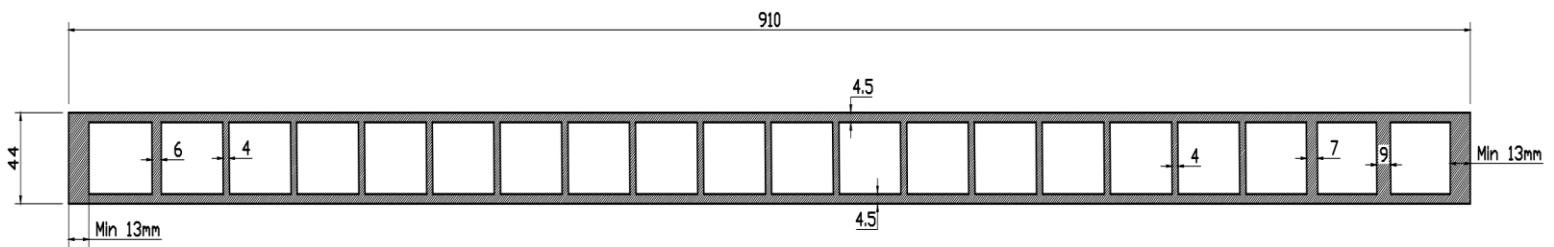
SPECIAL FEATURES

2020
BEST
FEATURES

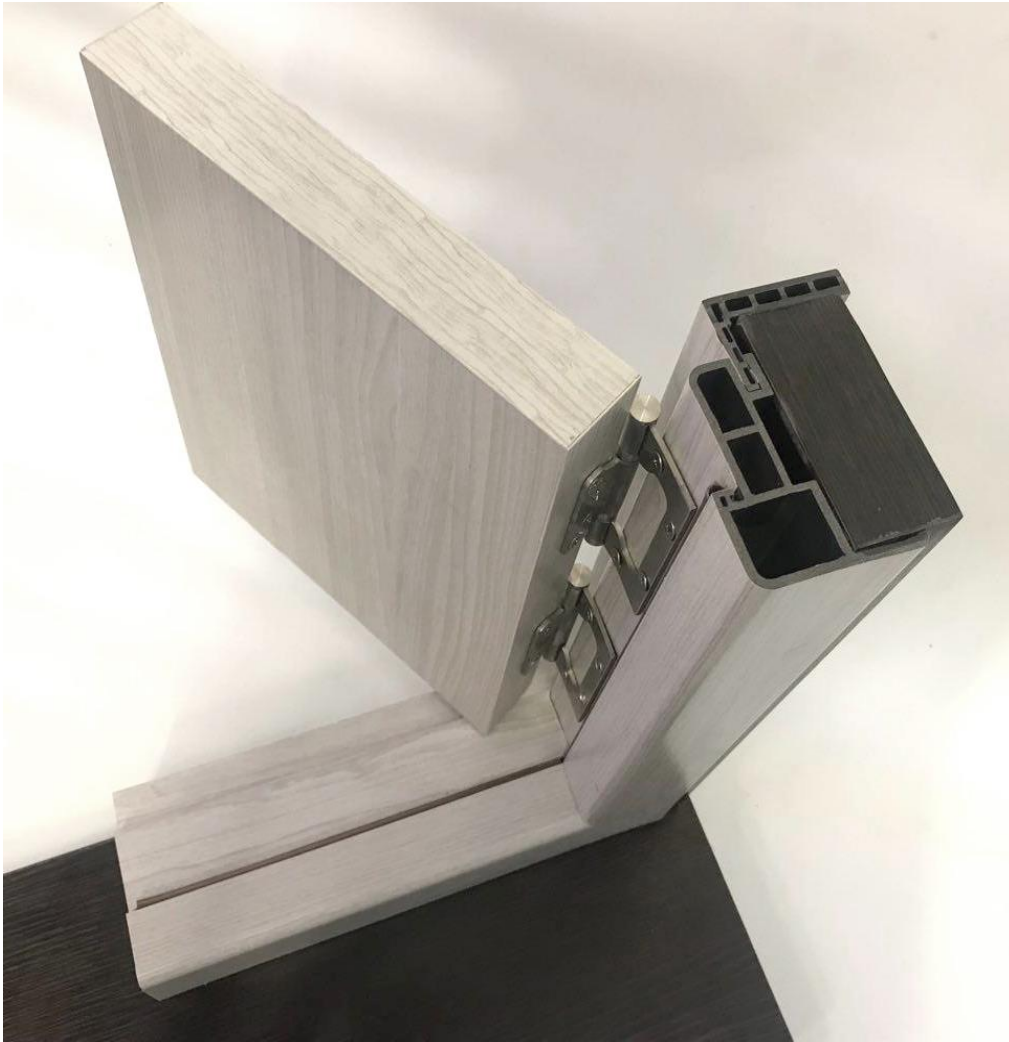
- WPC doors have good flame retardant performance
- Moisture proof
- Colorful variety of appearance and long service life
- Resistant to chemicals and corrosion
- WPC doors are durable and have long service life, and very nice appearance



DOOR



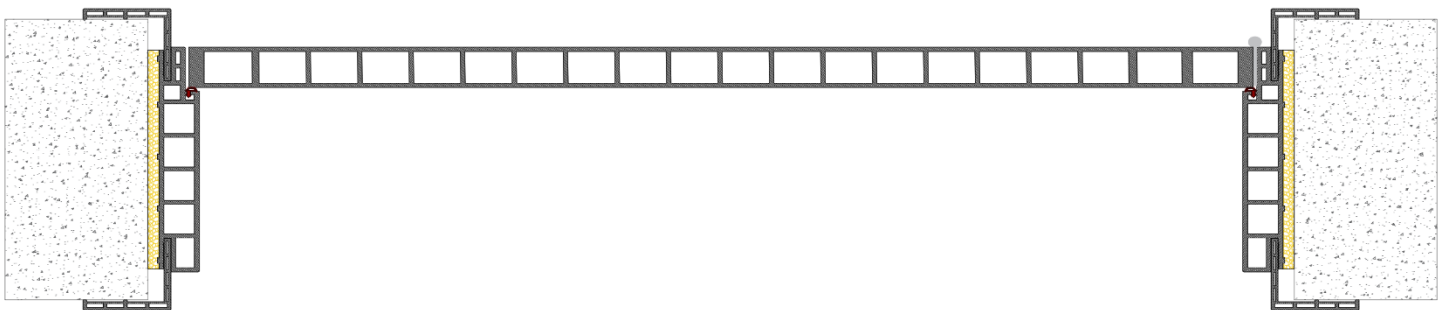
ASSEMBLING DRAWINGS



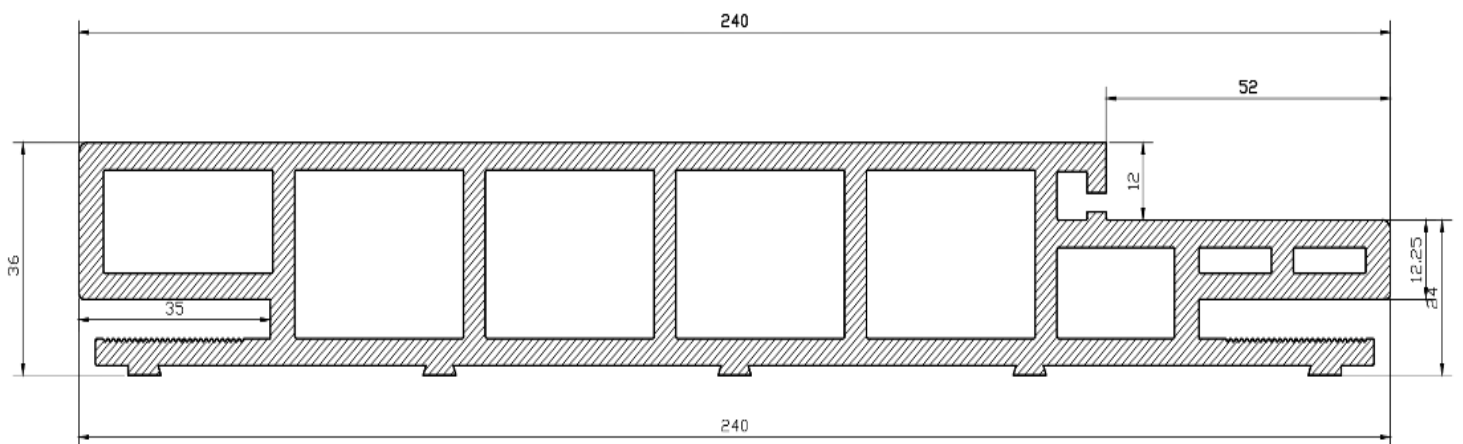
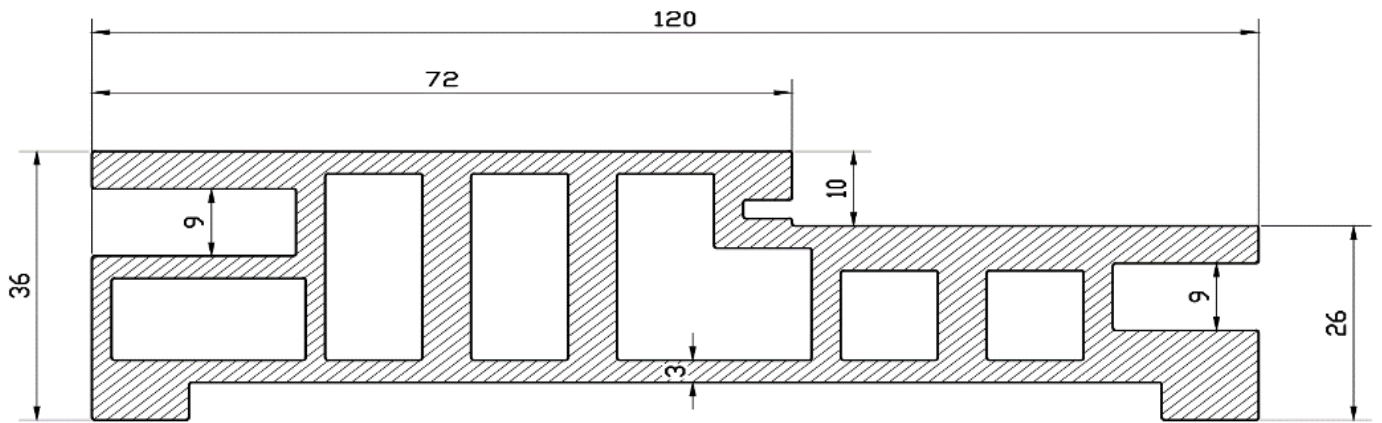
2020

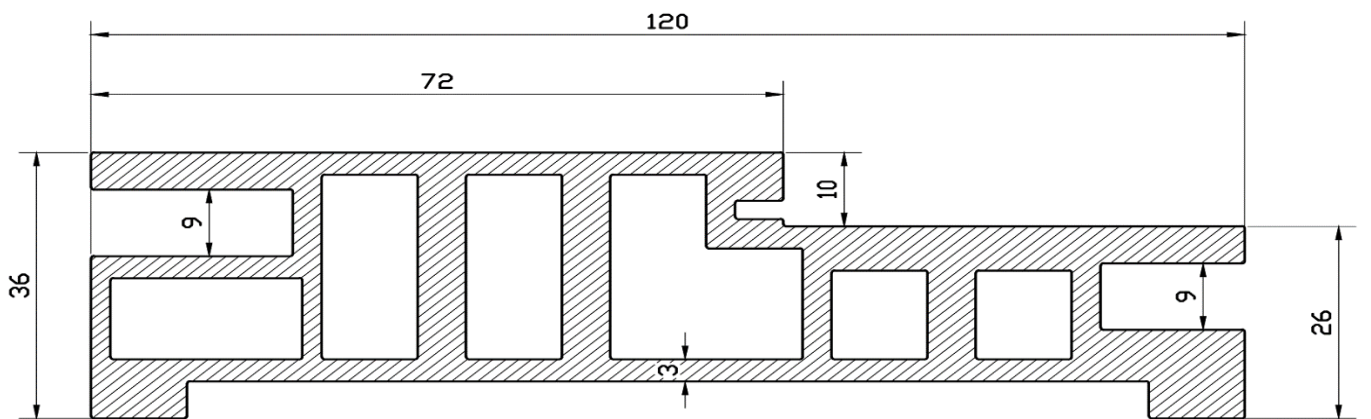
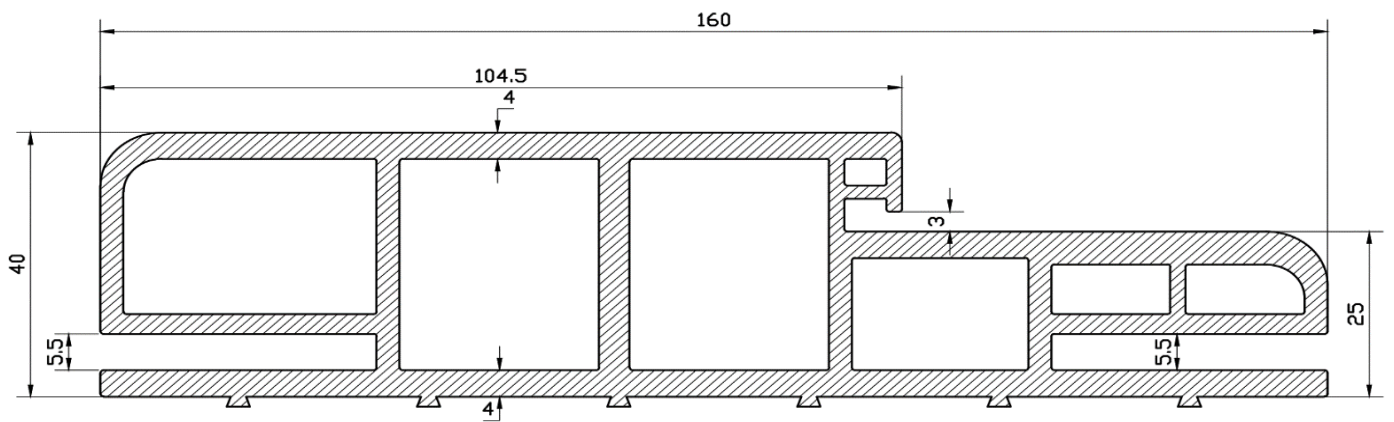
CHOICE

YOUR BEST



COVER & FRAME

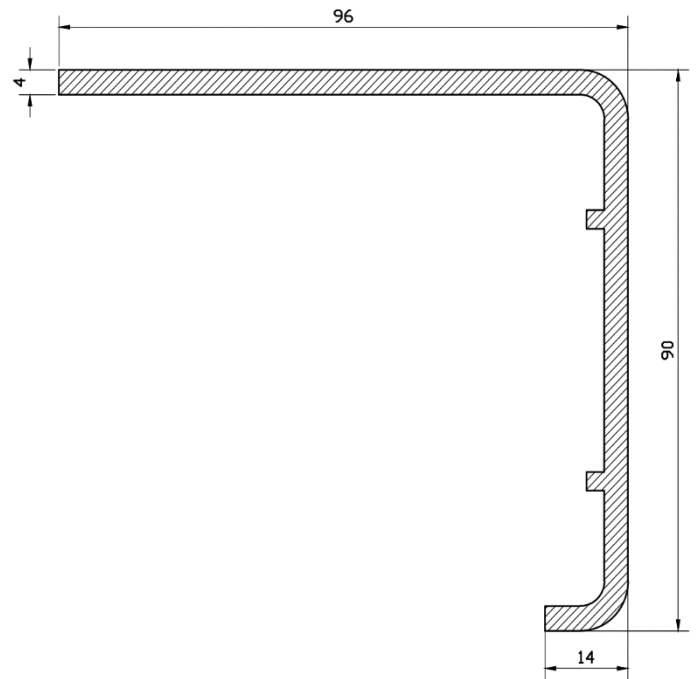
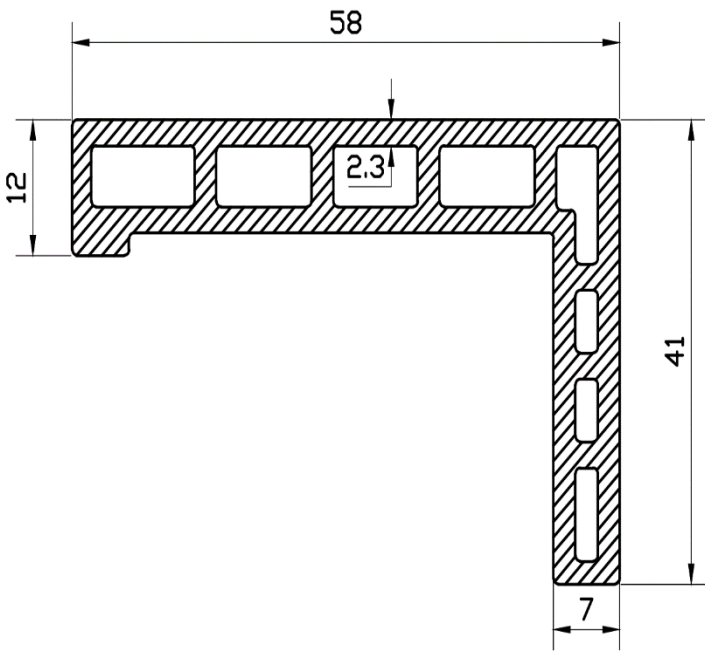
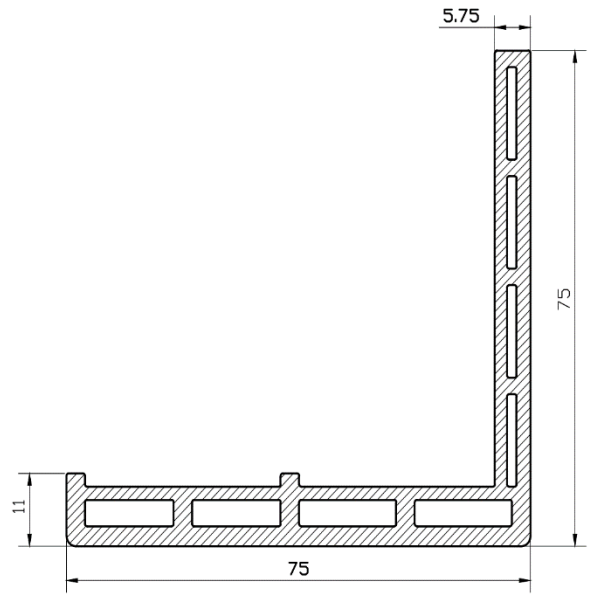
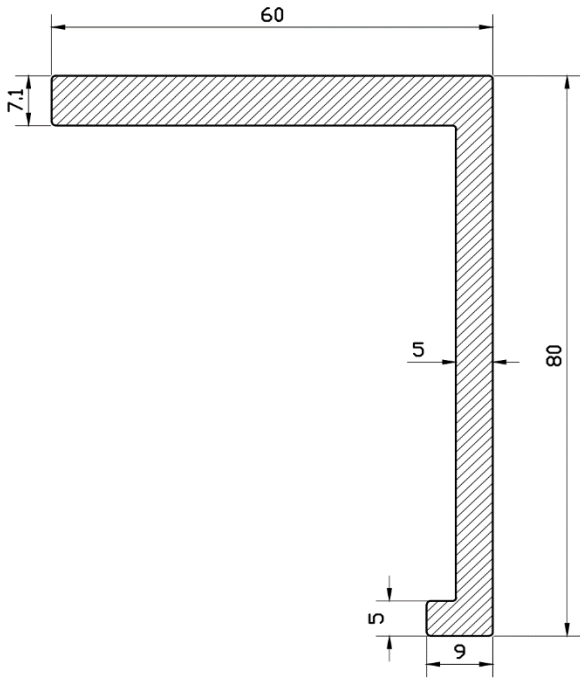




YOUR BEST CHOICE

- ✓ Good insulation and sound insulation
- ✓ green environmental protection
- ✓ installation saves time and effort





2020

WPC DOORS

The door sleeve of the wood-plastic door is connected with the door sleeve thread by a clamp, and does not need to be fixed by a gun nail or viscose. It is very time-saving, labor-saving and convenient to install.



SOME OF OUR PROJECTS





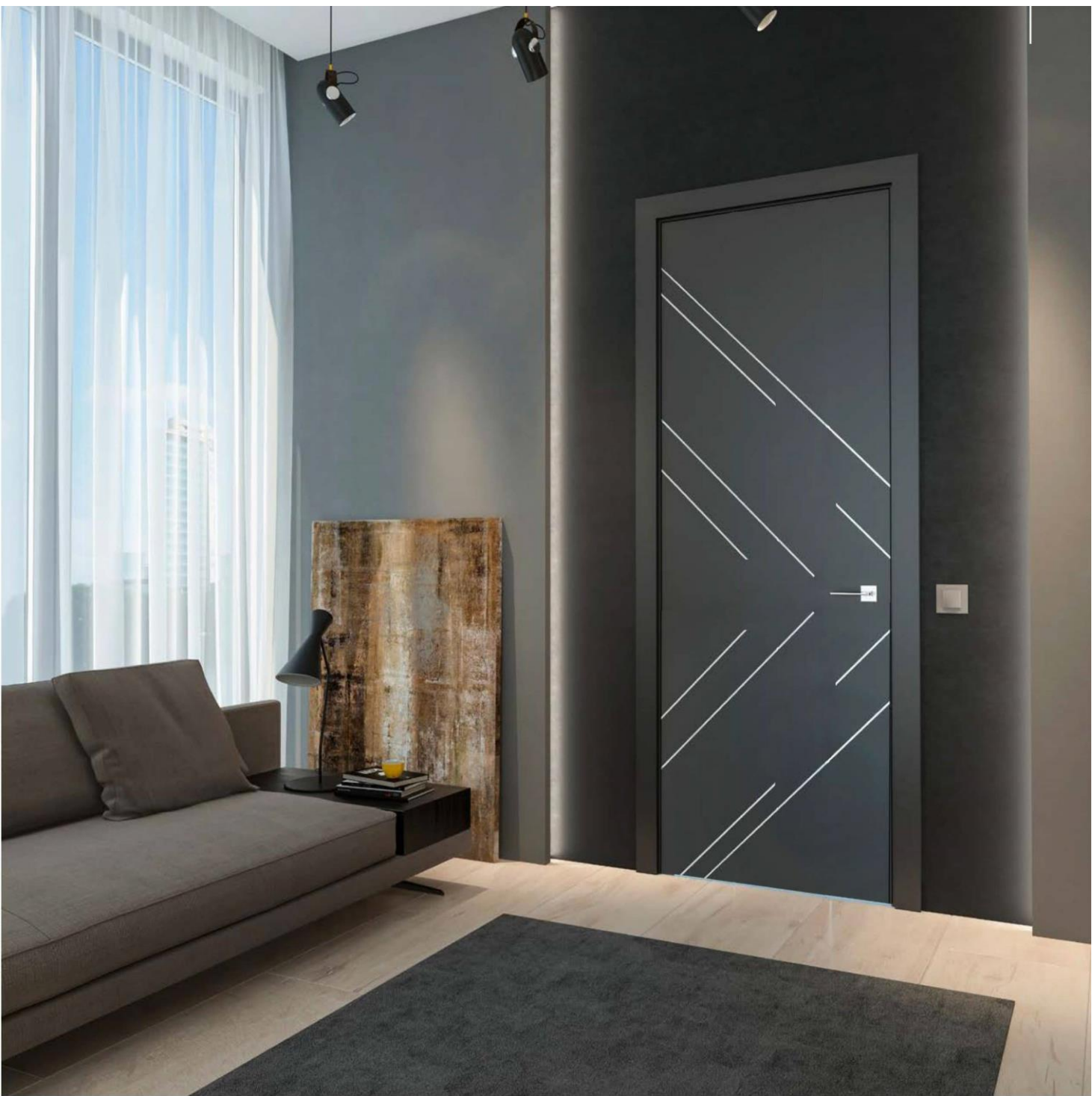
2020

YOUR BEST

DESIGN

2020







***F*FRAMELESS!**

MINIMALISTIC
DESIGN







CONTACT US



031-33339999



info@fanavarplastic.com



www.fanavarplastic.com

F.P.S.CO

Fanavar Plastic Sepahan corporation(F.P.S CO) has been established in Najaf Abad industrial zone in 2005, with the aim of manufacturing PVC, UPVC and WPC building components. Currently we operate more than 120,000 square meters manufacturing facilities using the largest extrusion lines and known as one of the leading producer in the field of polymer constructional parts in the country.



